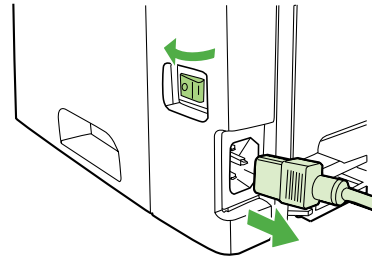


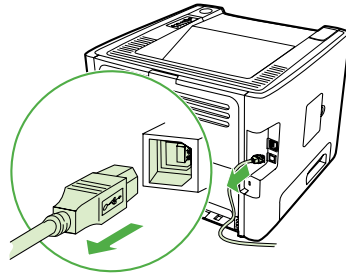
Installation & Test Guide

For HP LaserJets & MFPs with 100 Pin DIMM (Reversed)



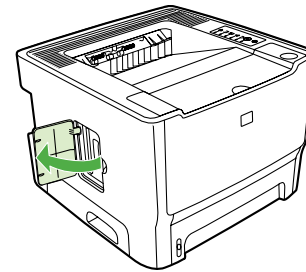
1

Use the power switch to turn off the printer and then unplug the power cord from the printer.



2

Unplug all remaining cables and cords from the printer.

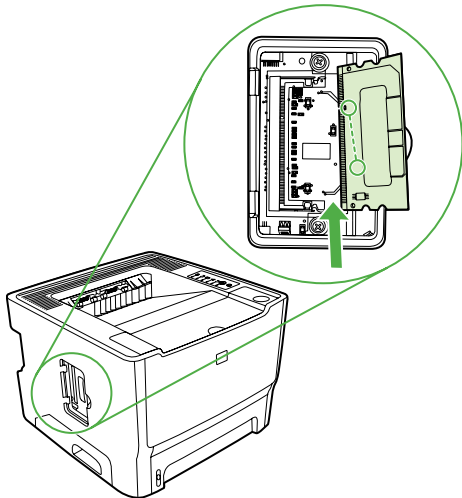
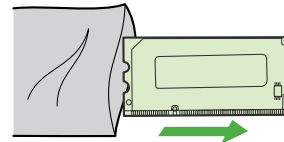


3

Carefully open the DIMM access door located on the left side of the printer.

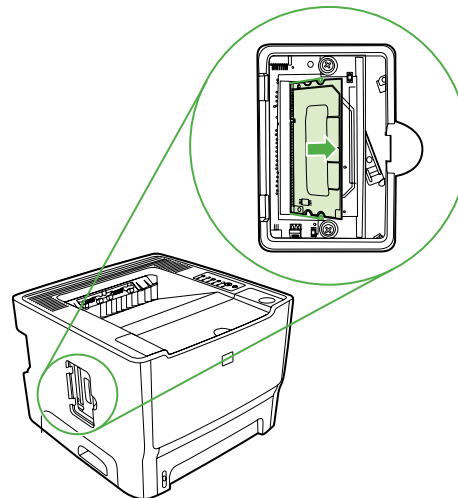
4

Remove the DIMM from the anti-static bag it came in, grasping the DIMM along the top edge away from the gold contacts.



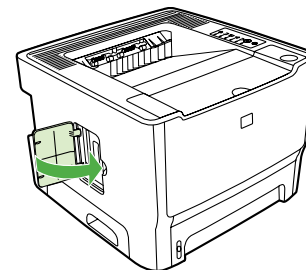
5

The DIMM has a notch cut in the edge between some of the gold contacts. Orient the DIMM so this notch aligns with the bump in the printer's connector and insert the DIMM into the connector.



6

Press the DIMM body in until the metal retaining pins click.



7

Close the DIMM access door, reconnect all cables and cords, then turn the power switch on.

Congratulations!

You are now ready to print scalable bar codes using your printer. To test your Scalable BarCode Font Set, simply use your printer's control panel to print a PCL Font List. On most printer models, select "Information" and then "Print PCL Font List".

See the reverse side of this sheet for an example of the first page of a PCL Font List showing the Scalable BarCode Font Set fonts. The PCL Font List may vary a little between different printer models, but the bar code fonts will be shown somewhere in the list.

TypeHaus Reorder Part Number: 11B58R-30

Solutions
Business Partner



TypeHaus, Inc.
655 Second Street
Encinitas, CA 92024
760.334.3555
www.typehaus.com

HP LaserJet

PCL Font List

Page 1



USB STORAGE Resident Fonts

Font	Pitch/Point	Escape Sequence	Font #	Font_ID
Interleaved2of5-	Scalable	<esc>(3Y<esc>(s1p v0s0b28673T	USB1 1	
Interleaved2of5t	Scalable	<esc>(3Y<esc>(s1p v0s0b28674T	USB1 2	
Code39 QuarterIn	Scalable	<esc>(9Y<esc>(s1p v0s0b28676T	USB1 3	
Code39 Half Inch	Scalable	<esc>(9Y<esc>(s1p v0s0b28677T	USB1 4	
Code39 One Inch	Scalable	<esc>(9Y<esc>(s1p v0s0b28678T	USB1 5	
Code39 Small Low	Scalable	<esc>(9Y<esc>(s1p v0s0b28679T	USB1 6	
Code39 Small Med	Scalable	<esc>(9Y<esc>(s1p v0s0b28680T	USB1 7	
Code39 Small High	Scalable	<esc>(9Y<esc>(s1p v0s0b28681T	USB1 8	
Code39 Slim Reg	Scalable	<esc>(9Y<esc>(s1p v0s0b28682T	USB1 9	
Code39 Wide	Scalable	<esc>(9Y<esc>(s1p v0s0b28683T	USB1 10	
ABCDE	Scalable	<esc>(10Y<esc>(s1p v0s0b28684T	USB1 11	
OCR-B c39 Reg	Scalable	<esc>(11Y<esc>(s1p v0s0b28675T	USB1 12	
0123456789	Scalable	<esc>(12Y<esc>(s1p v0s0b28685T	USB1 13	
OCR-B-Digits-Reg	Scalable	<esc>(12Y<esc>(s1p v0s0b28686T	USB1 14	
Code128 Medium	Scalable	<esc>(12Y<esc>(s1p v0s0b28687T	USB1 15	
Code128 Narrow	Scalable	<esc>(13Y<esc>(s1p v0s0b28698T	USB1 16	
Code128 Wide	Scalable	<esc>(13Y<esc>(s1p v0s0b28699T	USB1 17	
B	Scalable	<esc>(24Y<esc>(s1p v0s0b28688T	USB1 18	
OCR-A-Book-Regul	Scalable	<esc>(24Y<esc>(s1p v0s0b28689T	USB1 19	
OCR-B-Music-Regu	Scalable	<esc>(24Y<esc>(s1p v0s0b28690T	USB1 20	
Upc-Tall-Regular	Scalable			
Upc-TallNarrow-R	Scalable			
Upc-TallThin-Reg	Scalable			

Pitch: 0.10 - 576 Symbol set Point size: 0.25 - 999.75
See your Printer User's Manual for more information.