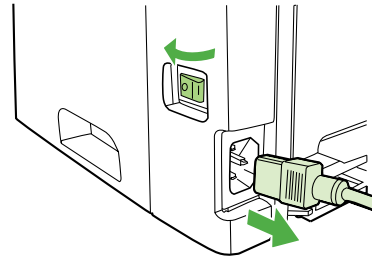
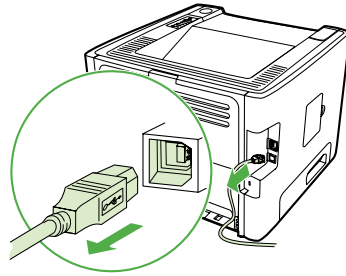


Installation & Test Guide

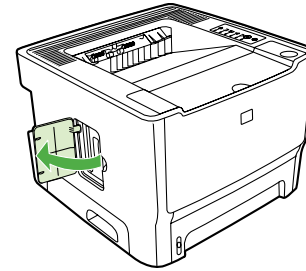
For HP LaserJets and MFPs with 100 Pin DIMM (Reversed)



1 Use the power switch to turn off the printer and then unplug the power cord from the printer.

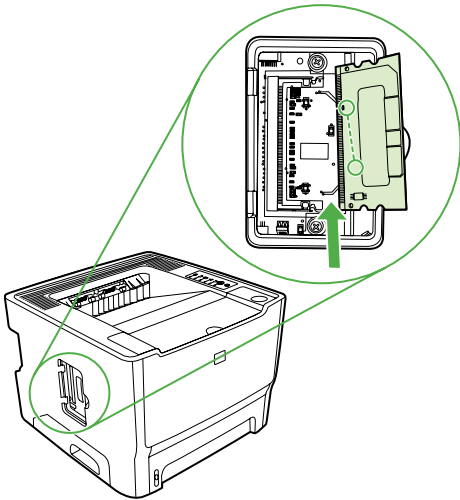
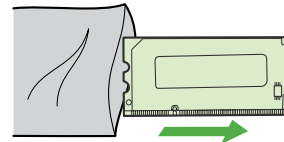


2 Unplug all remaining cables and cords from the printer.

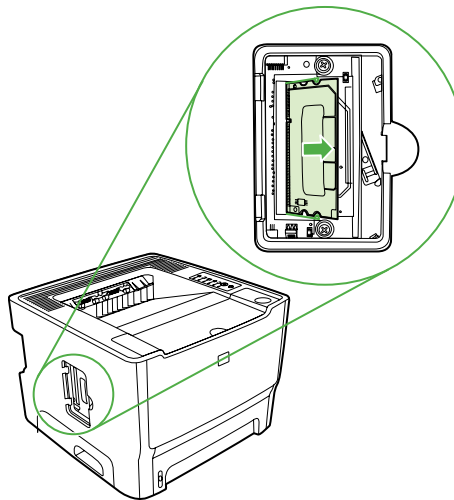


3 Carefully open the DIMM access door located on the left side of the printer.

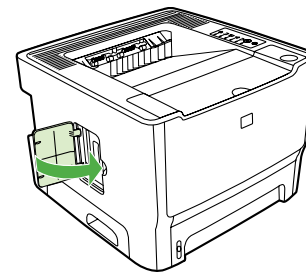
4 Remove the DIMM from the anti-static bag it came in, grasping the DIMM along the top edge away from the gold contacts.



5 The DIMM has a notch cut in the edge between some of the gold contacts. Orient the DIMM so this notch aligns with the bump in the printer's connector and insert the DIMM into the connector.



6 Press the DIMM body in until the metal retaining pins click.



7 Close the DIMM access door, reconnect all cables and cords, then turn the power switch on.

Congratulations!

You are now ready to print the complete set of PCL5 fonts using your printer. To test your PCL5 Complete Font Set, simply use your printer's control panel to print a PCL Font List. On most printer models, select "Information" and then "Print PCL Font List".

See the reverse side of this sheet for an example of the first page of a PCL Font List showing the PCL5 Complete Font Set fonts. The PCL Font List may vary a little between different printer models, but the PCL5 Complete Font Set fonts will be shown somewhere in the list.

TypeHaus Reorder Part Number: 11B58R-37

Solutions
Business Partner



TypeHaus, Inc.
655 Second Street
Encinitas, CA 92024
760.334.3555
www.typehaus.com

HP LaserJet

PCL Font List

ROM DIMM M1

| Typeface | Pitch/point | Escape sequence | Font # | Font_ID |
|-------------------------------------|-------------|-------------------------------------|--------|---------|
| ABCDEFghijjAA°ÇÑi Courier | Scale | <esc>([] <esc>(s0p [] h0s0b4099T | M1 0 | |
| ABCDEFghijjAA°ÇÑi CG Times | Scale | <esc>([] <esc>(s1p [] v0s0b4101T | M1 1 | |
| ABCDEFghijjAA°ÇÑi CG Times Bd | Scale | <esc>([] <esc>(s1p [] v0s3b4101T | M1 2 | |
| ABCDEFghijjAA°ÇÑi CG Times It | Scale | <esc>([] <esc>(s1p [] v1s0b4101T | M1 3 | |
| ABCDEFghijjAA°ÇÑi CG Times Bdit | Scale | <esc>([] <esc>(s1p [] v1s3b4101T | M1 4 | |
| ABCDEFghijjAA°ÇÑi CG Omega | Scale | <esc>([] <esc>(s1p [] v0s0b4113T | M1 5 | |
| ABCDEFghijjAA°ÇÑi CG Omega Bd | Scale | <esc>([] <esc>(s1p [] v0s3b4113T | M1 6 | |
| ABCDEFghijjAA°ÇÑi CG Omega It | Scale | <esc>([] <esc>(s1p [] v1s0b4113T | M1 7 | |
| ABCDEFghijjAA°ÇÑi CG Omega Bdit | Scale | <esc>([] <esc>(s1p [] v1s3b4113T | M1 8 | |
| ABCDEFghijjAA°ÇÑi Coronet | Scale | <esc>([] <esc>(s1p [] v1s0b4116T | M1 9 | |
| ABCDEFghijjAA°ÇÑi Clarendon cdbd | Scale | <esc>([] <esc>(s1p [] v4s3b4140T | M1 10 | |
| ABCDEFghijjAA°ÇÑi Univers Md | Scale | <esc>([] <esc>(s1p [] v0s0b4148T | M1 11 | |
| ABCDEFghijjAA°ÇÑi Univers Bd | Scale | <esc>([] <esc>(s1p [] v0s3b4148T | M1 12 | |
| ABCDEFghijjAA°ÇÑi Univers Mdit | Scale | <esc>([] <esc>(s1p [] v1s0b4148T | M1 13 | |
| ABCDEFghijjAA°ÇÑi Univers Bdit | Scale | <esc>([] <esc>(s1p [] v1s3b4148T | M1 14 | |
| ABCDEFghijjAA°ÇÑi Univers ccmD | Scale | <esc>([] <esc>(s1p [] v4s0b4148T | M1 15 | |
| ABCDEFghijjAA°ÇÑi Univers Cdbd | Scale | <esc>([] <esc>(s1p [] v4s3b4148T | M1 16 | |
| ABCDEFghijjAA°ÇÑi Univers CcmDit | Scale | <esc>([] <esc>(s1p [] v5s0b4148T | M1 17 | |
| ABCDEFghijjAA°ÇÑi Univers Cdbdit | Scale | <esc>([] <esc>(s1p [] v5s3b4148T | M1 18 | |
| ABCDEFghijjAA°ÇÑi AntiqLive | Scale | <esc>([] <esc>(s1p [] v0s0b4168T | M1 19 | |

[] Pitch [] Symbol set [] Point size