

Installation & Test Guide

For HP LaserJets & MFPs with 144 Pin DIMM

Extending the Resources and Abilities of Your Printer

Congratulations!

You are now ready to print MICR using your printer. To test your MICR Font Solution, simply use your printer's control panel to print a PCL Font List. On most printers, select "Information" and then "Print PCL Font List".

See the reverse side of this sheet for an example of the first page of a PCL Font List showing the MICR Font Solution font. The PCL Font List may vary a little between different printer models, but the MICR font will be shown somewhere in the list.

PCL5 Font Selection

Ec(OQEc(sOp8h8.4v0s0b0T

Character Mapping

MICR	Char	Dec	Hex
0	0	48	30
1	1	49	31
2	2	50	32
3	3	51	33
4	4	52	34
5	5	53	35
6	6	54	36
7	7	55	37
8	8	56	38
9	9	57	39
A	A	65	41
B	B	66	42
C	C	67	43
D	D	68	44

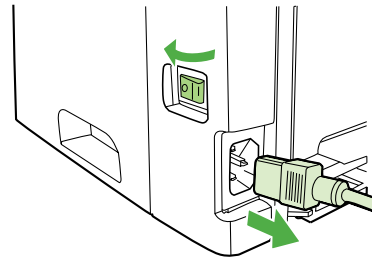
TypeHaus Reorder Part Number: 11B584-36

Solutions
Business Partner



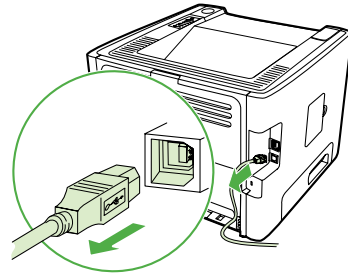
TypeHaus, Inc.
655 Second Street
Encinitas, CA 92024
760.334.3555
www.typehaus.com

© 2010 TypeHaus, Inc. All rights reserved. (2156-100812A)



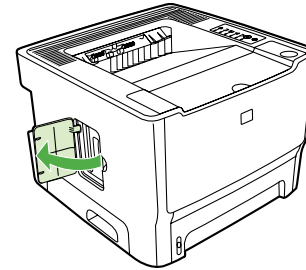
1

Use the power switch to turn off the printer and then unplug the power cord from the printer.



2

Unplug all remaining cables and cords from the printer.

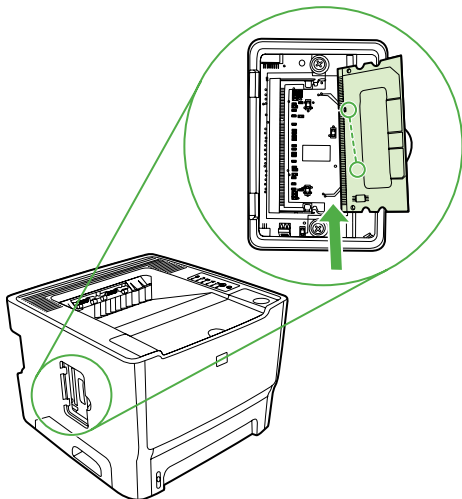
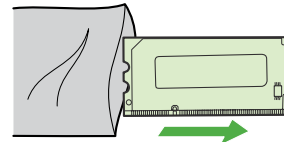


3

Carefully open the DIMM access door located on the left side of the printer.

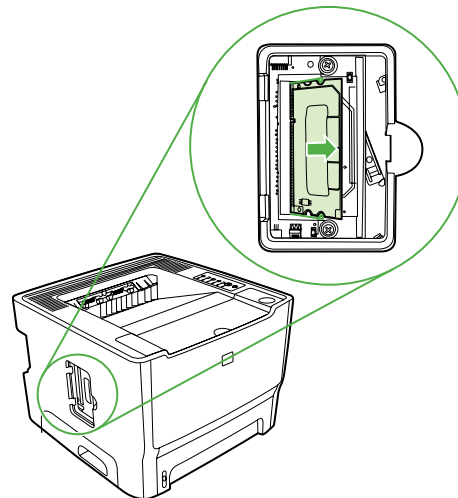
4

Remove the DIMM from the anti-static bag it came in, grasping the DIMM along the top edge away from the gold contacts.



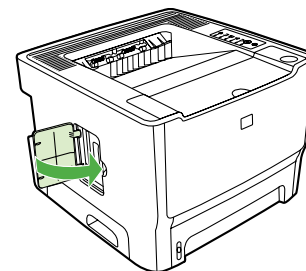
5

The DIMM has a notch cut in the edge between some of the gold contacts. Orient the DIMM so this notch aligns with the bump in the printer's connector and insert the DIMM into the connector.



6

Press the DIMM body in until the metal retaining pins click.



7

Close the DIMM access door, reconnect all cables and cords, then turn the power switch on.

