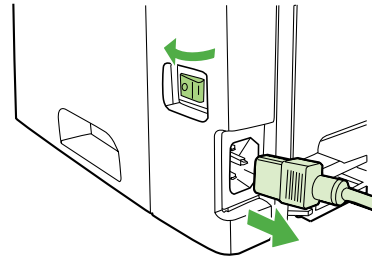


Installation Guide

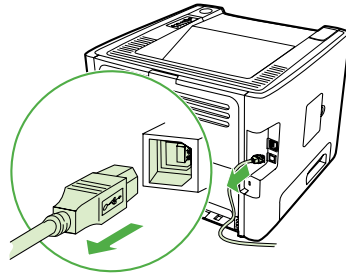
For HP LaserJets & MFPs with 144 Pin DIMM

Extending the Resources and Abilities of Your Printer



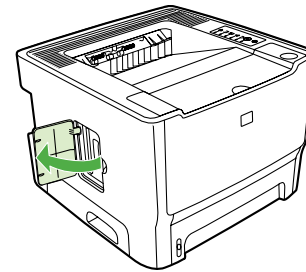
1

Use the power switch to turn off the printer and then unplug the power cord from the printer.



2

Unplug all remaining cables and cords from the printer.

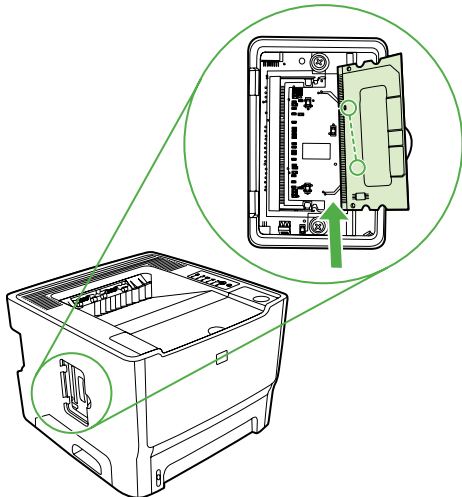
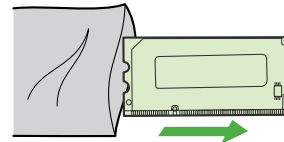


3

Carefully open the DIMM access door located on the left side of the printer.

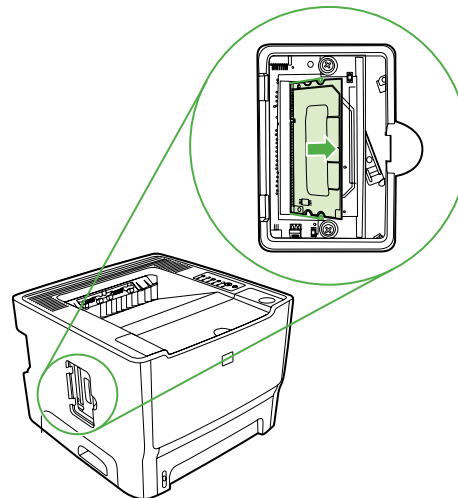
4

Remove the DIMM from the anti-static bag it came in, grasping the DIMM along the top edge away from the gold contacts.



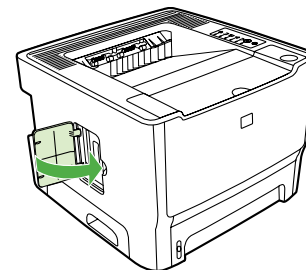
5

The DIMM has a notch cut in the edge between some of the gold contacts. Orient the DIMM so this notch aligns with the bump in the printer's connector and insert the DIMM into the connector.



6

Press the DIMM body in until the metal retaining pins click.



7

Close the DIMM access door, reconnect all cables and cords, then turn the power switch on.

Congratulations!

You are now ready to print using your custom solution. See the reverse side of this sheet for a sample test print using your custom solution.

TypeHaus Reorder Part Number: 11B584-50

Solutions
Business Partner



TypeHaus, Inc.
655 Second Street
Encinitas, CA 92024
760.334.3555
www.typehaus.com

