

BarCodes Complete

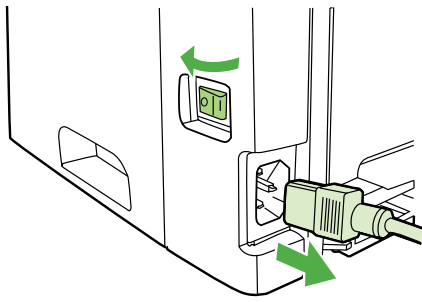
Installation & Test Guide

For HP LaserJets & MFPs with Host USB(1)

TYPEHAUS

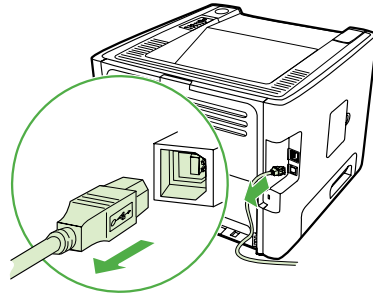
Extending the Resources and Abilities of Your Printer

WARNING: Do not insert your BarCodes Complete USB device into your PC or system other than your printer. PCs and other systems can automatically erase the device. The device is only compatible with the USB connectors located *inside* your printer.



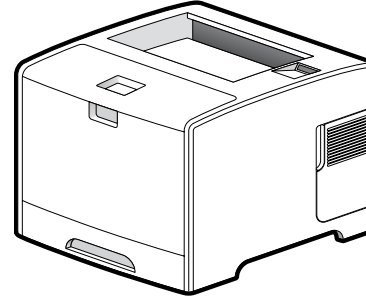
1

Use the power switch to turn off the printer and then unplug the power cord from the printer.



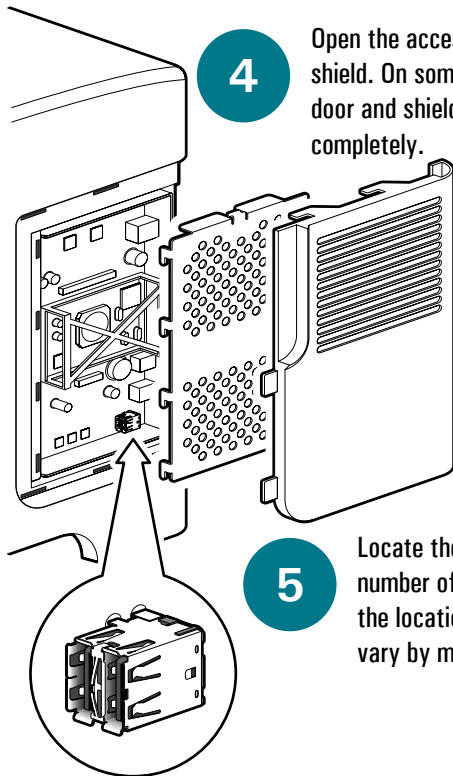
2

Unplug all remaining cables and cords from the printer.



3

Locate the access door located on the side of the printer. The location can vary by model.

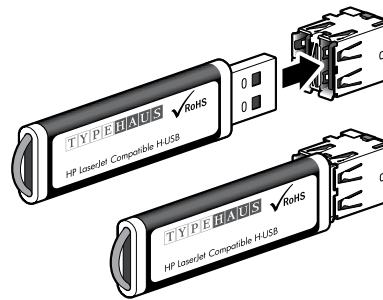


4

Open the access door and metal shield. On some models the door and shield may remove completely.

5

Locate the USB connectors. The number of USB connectors, and the location and orientation can vary by model.



6

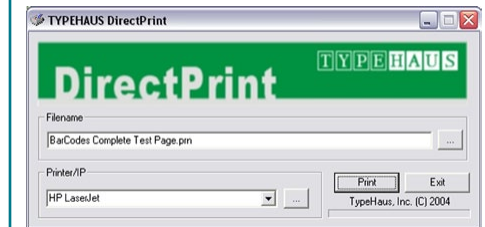
Insert the BarCodes Complete into the USB connector. If more than one connector, use the connector labelled "A" or "1". The BarCodes Complete will only insert in one orientation. If it does not insert easily, rotate it and try again. Never use strong force. Strong force may damage your printer.

7

Close the shield and access door, reconnect all cables and cords, then turn the power switch on.

Congratulations!

You are now ready to print bar codes using your LaserJet. The CD that came with your BarCodes Complete contains an application for testing the new capabilities.



1. Insert the CD in your CD/DVD drive and use Windows File Explorer to browse the CD and double-click on DirectPrint.exe.
2. In the "Filename" section, click the "... " button. Browse to select the file "BarCodes Complete Test Page.prn" also located on the CD.
3. In the "Printer/IP" section, select the printer from the dropdown list or enter the IP address if it is attached to the network.
4. Select the "Print" button.
5. Compare the printed test page to the reverse side of these instructions.
6. Select the "Exit" button to close the application.

TypeHaus Reorder Part Number: 11B520-00

Solutions
Business Partner



TypeHaus, Inc.
655 Second Street
Encinitas, CA 92024
760.334.3555
www.typehaus.com

© 2011 TypeHaus, Inc. All rights reserved. (3552-110218A)

BarCodes Complete

Test Page

TYPEHAUS

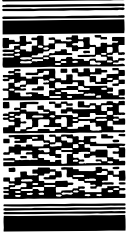
Extending the Resources and Abilities of Your Printer

MSI Plessey

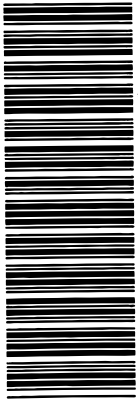
987654



PDF417



Code 39



012ABC8901

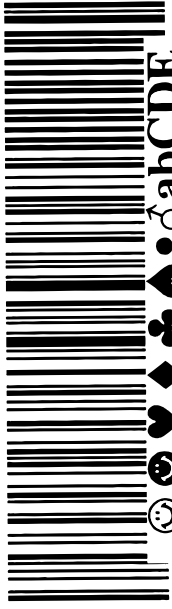
UPC-A



012345 6789015

12

Code 128 Auto A/B/C



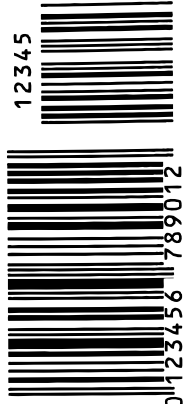
abCDE

Code 25 Industrial



012345678901

EAN-13



0123456789012

12345

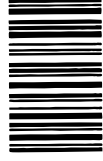
EAN-8



1234156701

12

Code 128C



12345678

© 2009 TypeHaus, Inc.
All rights reserved.
(3545-09022 1A)